

Daughter Board for Phycore-MPC555

1st December 2006 by Paw Yew Chai

For the Phytex Phycore-MPC555 to work as a standalone SBC without a development board, we do a quick prototyping daughter board from a PCB. Figure 1 and 2 show the current daughter board that we have. The circuit diagram is attached in this document as well.

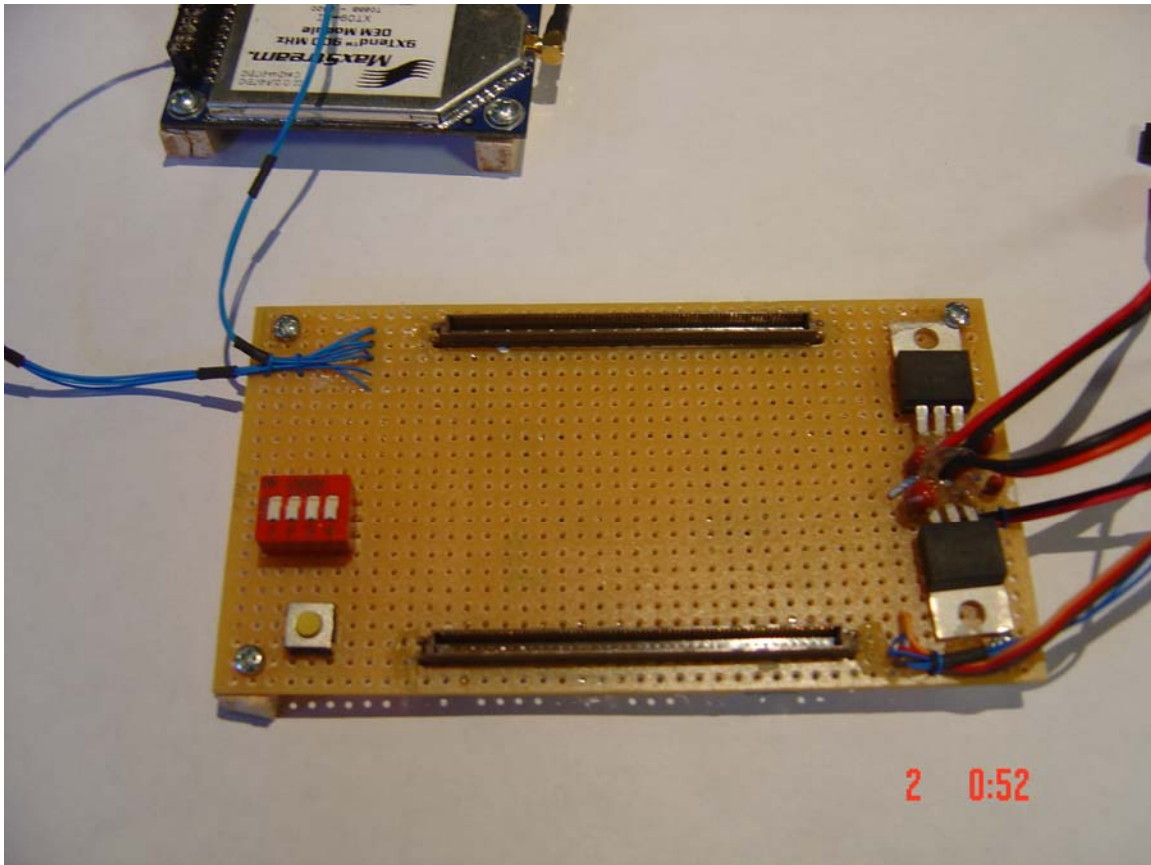


Figure 1 Prototype daughter board to house the Phycore-MPC555

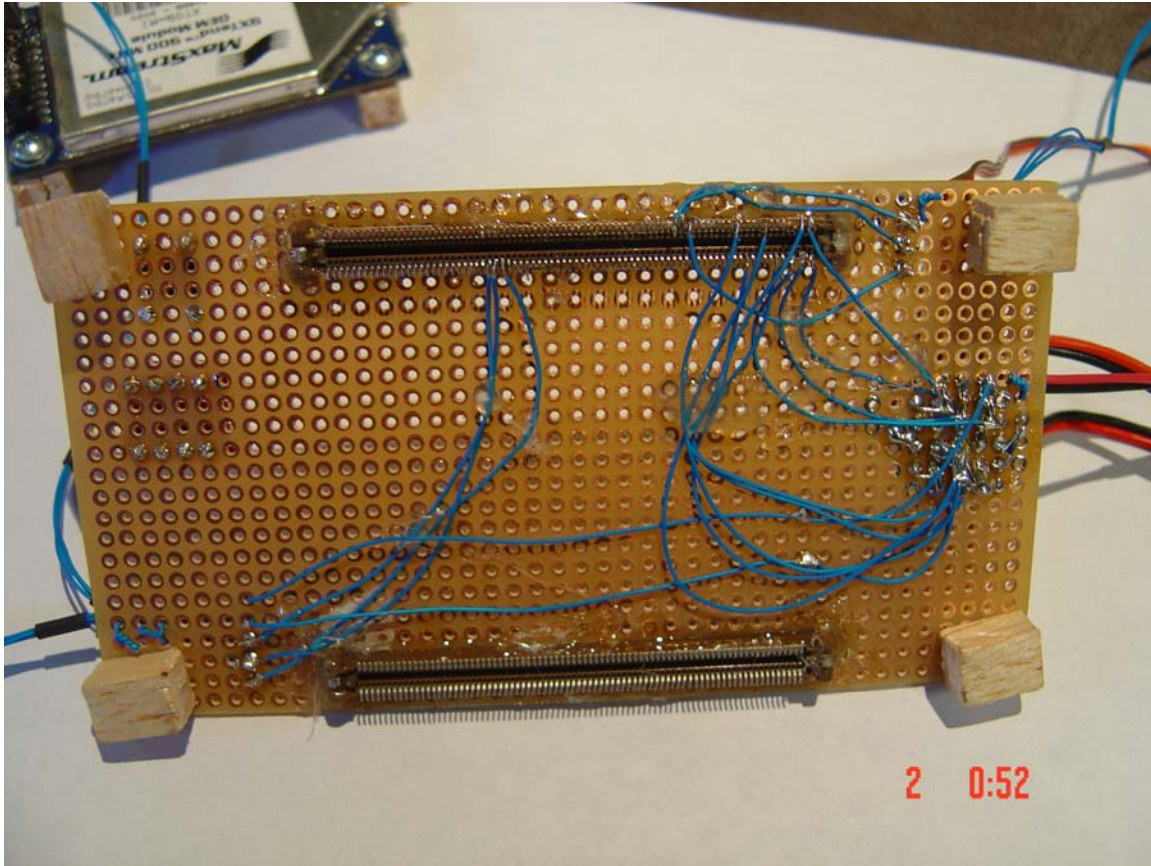


Figure 2 Bottom view of the daughter board.

In the current stage, we are able to power up the Phycore-MPC555 with the daughter board using the 5 volts and 3.3 volts that are required. Figure 3 shows the Phycore-MPC555 board mounted on the daughter board.

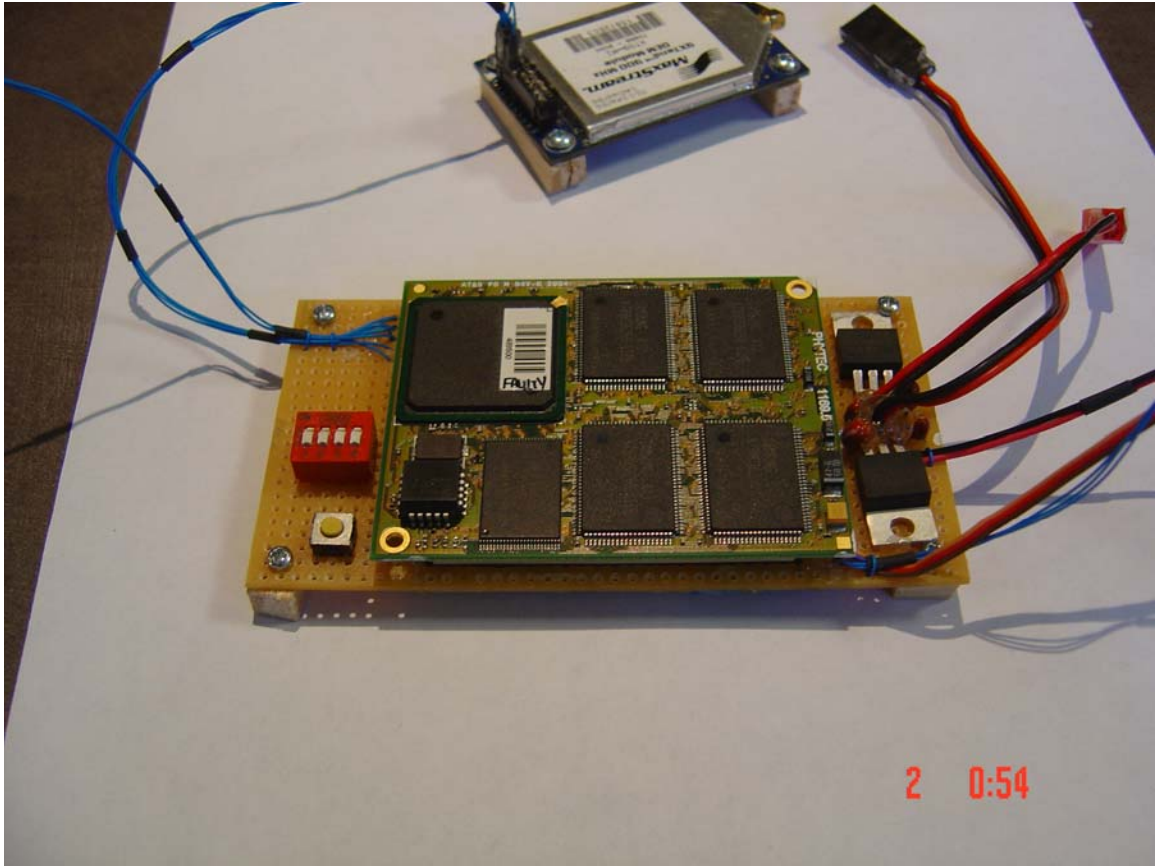
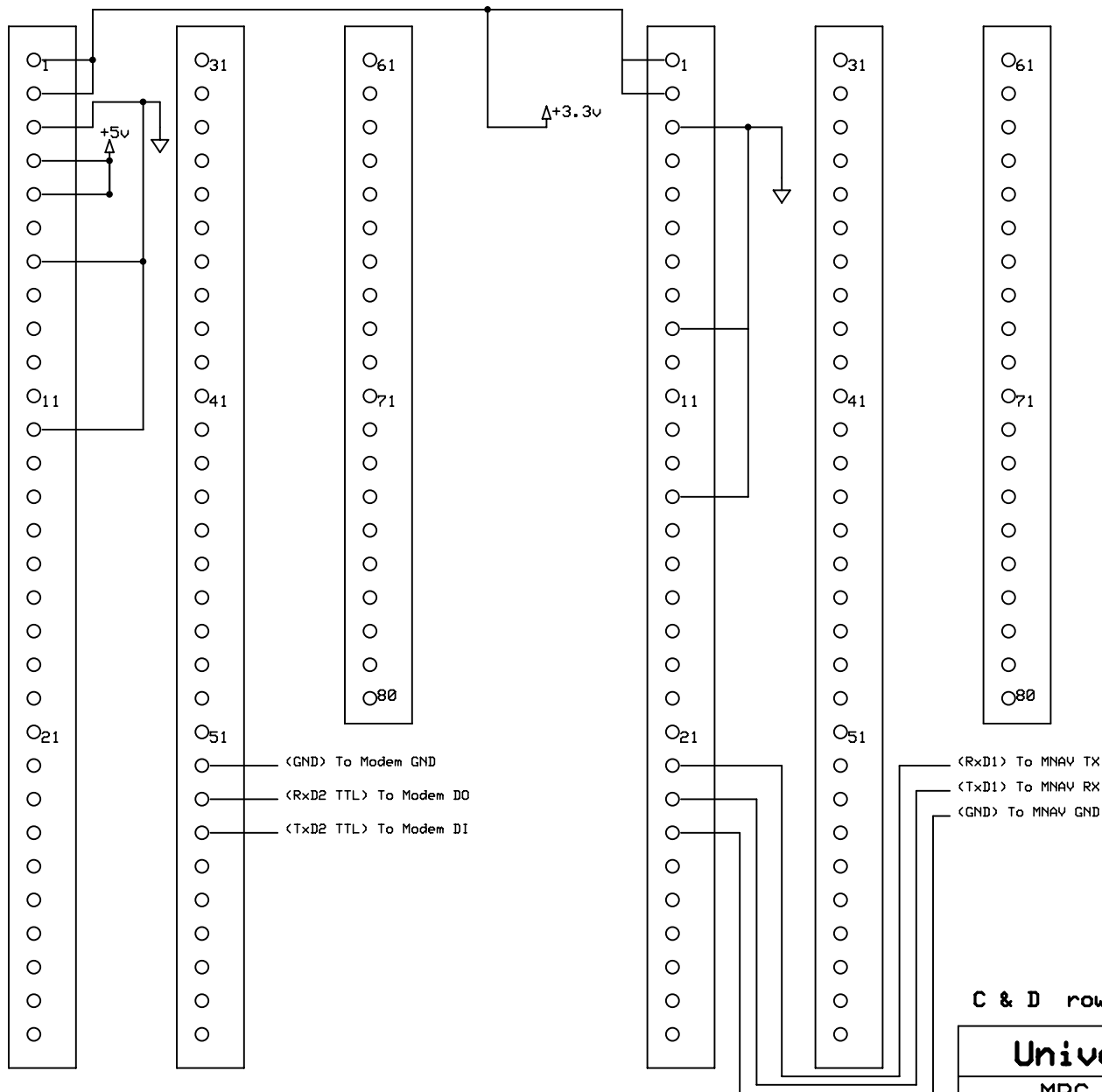


Figure 3 Phycore-MPC 555 mounted on the daughter board for testing

Block C (X1C)

Block D (X1D)



C & D row of Molex 80 pins connector

University of Minnesota		
MPC 555 80 Pins Molex connector		
Yew Chai Paw	Rev 1.1	UAV Group
	12/01/2006	